

# SOLANO hexapod

Ultra compact size hexapod with high resolution



## PREVIEW

### KEY FEATURES

- Height in middle position 104 mm
- Diameter 120 mm
- High speed  $\pm 30$  mm/s
- Payload capacity up to 5 kg
- Absolute encoders



### APPLICATIONS

- Instrumentation
- Optics
- Testing laboratories
- Synchrotrons
- Aeronautics and spatial
- Metrology
- Semiconductors
- Astronomy



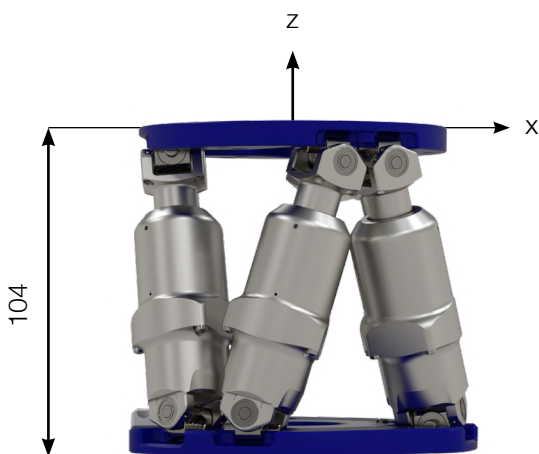
SOLANO hexapod with ultra compact height (104 mm)

SOLANO	
<b>Motion and positioning</b>	
Travel range Tx, Ty (mm)	± 18
Travel range Tz (mm)	± 6.5
Travel range Rx, Ry (deg)	± 10
Travel range Rz (deg)	± 21
Resolution Tx, Ty (µm)	0.1
Resolution Tz (µm)	0.08
Resolution Rx, Ry (µrad)	2.5
Resolution Rz (µrad)	3.5
Repeatability Tx, Ty, Tz (µm)	± 0.25
Repeatability Rx, Ry, Rz (µrad)	± 4
Speed Tx, Ty (mm/s)	30
Speed Tz (mm/s)	20
Speed Rx, Ry (deg/s)	15
Speed Rz (deg/s)	20
<b>Mechanical properties</b>	
Stiffness X, Y (N/µm)	0.3
Stiffness Z (N/µm)	5
Payload capacity (kg) (vertical orientation / horizontal orientation)	5 / 2.5
Motor type	Direct drive brushless DC motor
Encoder type	Absolute encoder (without battery or gear)
<b>Miscellaneous</b>	
Operating temperature range (°C)	0 to + 50
Materials	Aluminum, steel, stainless steel
Size mobile platform (mm)	Ø 100
Central aperture (mm)	Ø 50 for mobile platform ; Ø 32 for fixed platform
Height in middle position (mm)	104
Mass (kg)	1
Cable length (m)	2.5
Options	Clean room compatibility Hand-held control unit Customized platform design
<b>Controller</b>	
Controller type	ALPHA+
Interface	Ethernet
Power supply	110-240 VAC / 50-60 Hz

PREVIEW

Datasheet subject to change without notice. All data are superseded by any new release. R230124

The performances are specified for single axis motions, with all other axes at midrange and for a rotation center in the middle of the mobile platform.



Hexapod in middle position

